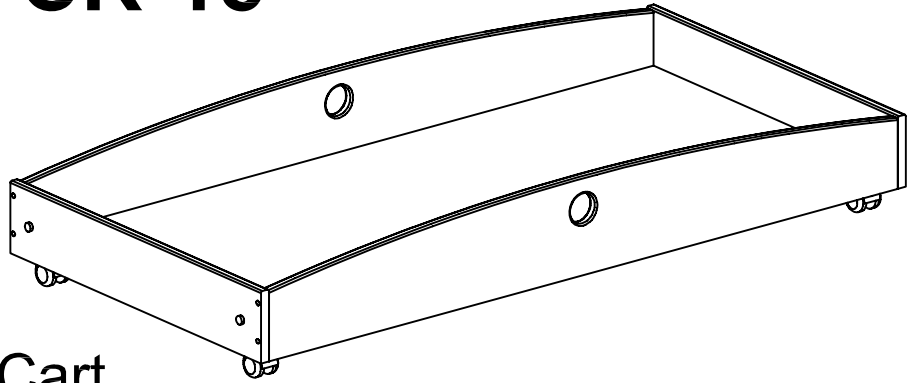


CR-15



Bebe Trundle Cart

ENG

Thank you for purchasing this **offi** product. **Offi** is committed to customer satisfaction. Every effort has been made to ensure that your purchase is complete with quality components and simple instructions for assembly.

If you have any comments, questions or kind words, please call us at. 1.800.958.offi (6334) or email to **info@offi.com**.

Find other **offi** products at **WWW.offi.com**.

ESP

Gracias por comprar este producto de las **offi**. **Offi** esta dedicada a la satisfaccion de sus clientes. Se ha hecho todo lo posible para garantizar que su compra de este producto este completo con un componente de calidad e instrucciones de montaje facil.

FRA

Merci d'avoir acheté ce produit des **offi** . **Offi** s' engage à satisfaire sa clientèle. Tous les efforts sant déployés pour's assurer que le produit que vous avez acheté est complet et qu' il comporte des pièces de qualité et des instructions de montage simples.



CAUTION: To be assembled by an adult

70789

ENG

Prior to assembling this desk please follow these steps:

- Read the instructions carefully and familiarize yourself with parts.
- Select a clean uncluttered area to open carton on.
- Carefully place all assembly hardware in box or other container to prevent losing parts while assembling.
- Assemble the furniture on the carton or carpet in order to protect the furniture finish and your floor.
- TO CLEAN DESK: Wipe with a soft cotton cloth moistened with water.
- DO NOT USE ABRASIVES.
- DO NOT OVERTIGHTEN THE SCREWS.
- It will be very helpful to have a friend assist you with assembly.

ESP

Siga las siguientes instrucciones para el montaje del escritorio:

- Lea las instrucciones cuidadosamente y familiarícese con las partes.
- Seleccione una área espaciosa en la cual pueda abrir el cartón.
- Ponga todas las herramientas que necesitara para el montaje en alguna caja o receptáculo para prevenir la pérdida de piezas de montaje.
- Ponga las piezas de madera encima del cartón o alfombra, así protegerá tanto su piso como el escritorio.
- PARA LIMPIAR ESCRITORIO: Pase un trapo de algodón medio húmedo.
- NO USE ESTRAPAJO O NADA PARA RESTREGAR.

FRA

Prenez connaissances de ces recommandations avant de débiter le montage du meuble:

- Lisez attentivement les instructions et familiarisez-vous avec les différentes pièces.
- Choisissez un endroit avec suffisamment d'espace pour ouvrir la boîte et assembler le meuble.
- Placez les pièces d'assemblage dans un contenant ou à un endroit sûr afin d'éviter la perte de celles-ci.
- Assemblez votre meuble sur sa boîte d'emballage ou sur un tapis afin de protéger les pièces de votre recouvrement de plancher.
- POUR NETTOYER LE MEUBLE: Essuyer avec un chiffon doux humecté d'eau.
- N'UTILISEZ PAS DE PRODUIT ABRASIF.

70789



WARNING

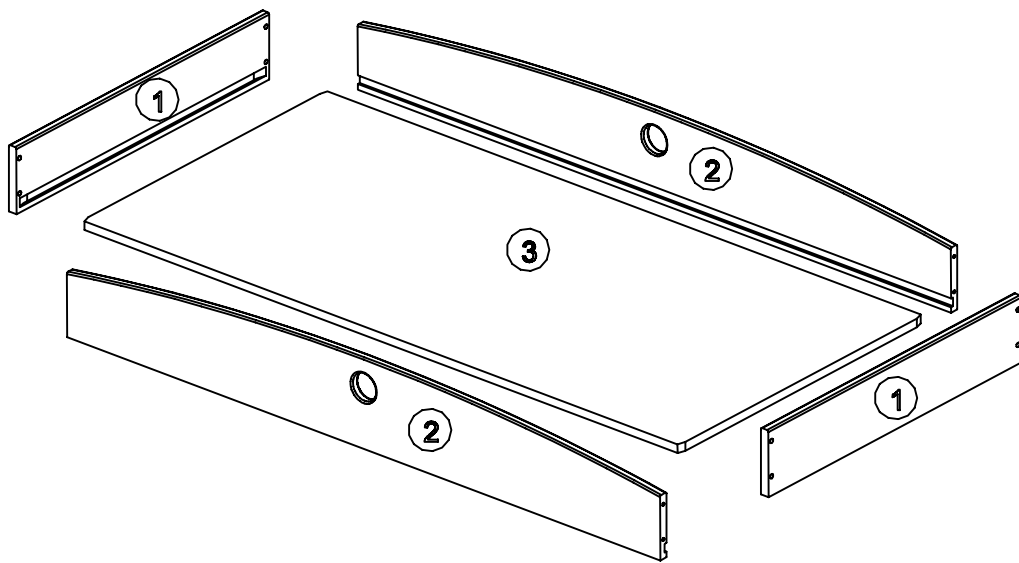


FAILURE TO FOLLOW THESE WARNINGS AND ASSEMBLY DIRECTIONS
COULD RESULT IN SERIOUS INJURY OR DEATH

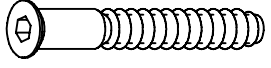

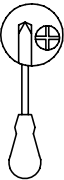
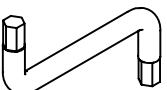



- READ ALL INSTRUCTIONS BEFORE ASSEMBLING CRIB. **KEEP INSTRUCTIONS FOR FUTURE USE.**
- BEFORE EACH USAGE OR ASSEMBLY, INSPECT CRIB FOR DAMAGED HARDWARE, LOOSE JOINTS, MISSING PARTS OR SHARP EDGES. DO NOT USE CRIB IF ANY PARTS MISSING OR BROKEN. ASK YOUR DEALER OR WRITE TO **OFFI** FOR REPLACEMENT PARTS AND INSTRUCTIONAL LITERATURE IF NEEDED. DO NOT SUBSTITUTE PARTS.
- UPON COMPLETION OF ASSEMBLY, BE SURE ALL SCREWS AND BOLTS HAVE BEEN TIGHTENED SECURELY. A PERIODIC CHECK SHOULD BE MADE OF ALL SCREWS AND BOLTS AND RETIGHTEN IF NECESSARY.
- AFTER RAISING SIDE, MAKE SURE BOLTS HAVE BEEN TIGHTENED SECURELY (BOTH SIDES!)
- WHEN CHILD IS ABLE TO CLIMB OUT OR REACHES THE HEIGHT OF 35 IN., THE CRIB SHALL NO LONGER BE USED.
- DO NOT PLACE CRIB NEAR WINDOW WHERE CORDS FROM BLINDS OR DRAPES MAY STRANGLE CHILD.
- IF REFINISHING, USE A NON-TOXIC FINISH SPECIFIED FOR CHILDREN'S PRODUCTS.
- DO NOT LEAVE CHILD IN CRIB WITH SIDE LOWERED. BE SURE SIDE IS IN RAISED AND IN THE LOCKED POSITION WHENEVER CHILD IS IN CRIB.
- WHEN CHILD IS ABLE TO PULL TO STANDING POSITION, SET MATTRESS TO LOWEST POSITION AND REMOVE BUMPER PADS, LARGE TOYS AND OTHER OBJECTS THAT COULD SERVE AS STEPS FOR CLIMBING OUT.
- NEVER USE PLASTIC SHIPPING BAGS OR OTHER PLASTIC FILM AS MATTRESS COVERS BECAUSE THEY CAN CAUSE SUFFOCATION.
- DO NOT USE WATER MATTRESS WITH THIS CRIB.
- THE MATTRESS USED WITH THIS CRIB MUST BE AT LEAST 27 1/4 INCHES BY 51 5/8 INCHES NOT EXCEEDING 6". THE GAP BETWEEN THE MATTRESS AND SIDES OF THE CRIB SHOULD NOT EXCEED 1 1/2 INCHES WHEN THE MATTRESS IS PUSHED INTO CORNER OF THE CRIB.

WARNING: String cause strangulation! Do not place items with a string around child's neck, such as hood strings or pacifier cords. do not suspend strings over crib or attach strings to toys.

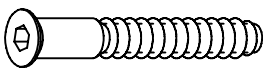
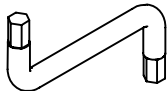
70789



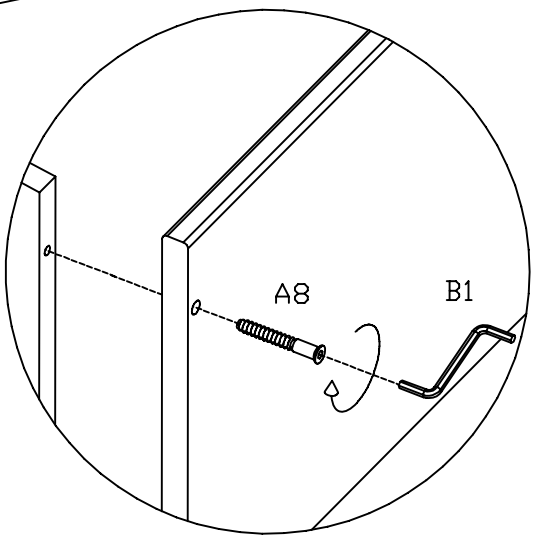
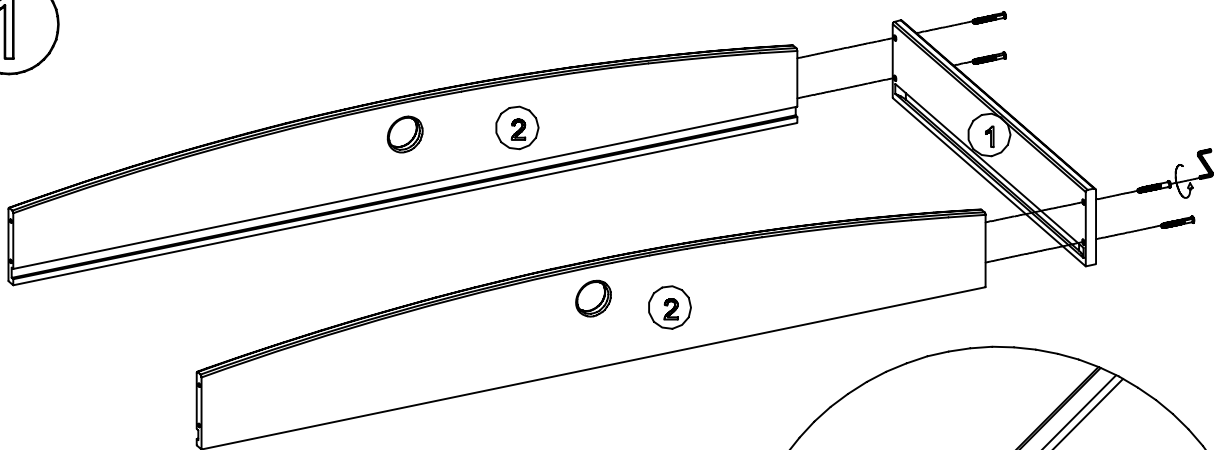
Pieces nr.	Quantities	Dimensions,mm	✓
1	2	636 x 121 x 16	
2	2	1258 x 165 x 16	
3	1	1266 x 612 x 16	

A8	 $\phi 7 \times 50$	x8	 
B1		x1	
B63		x4	
C46	 $\phi 4 \times 12$	x16	
E41		x4	

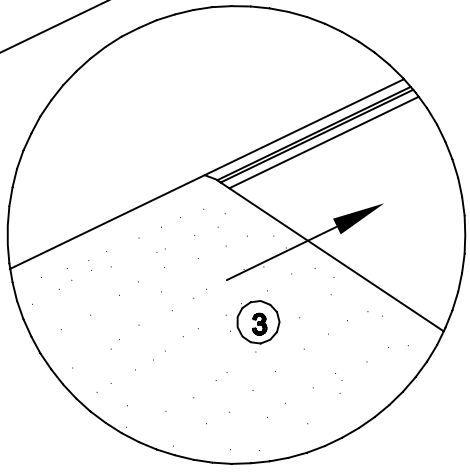
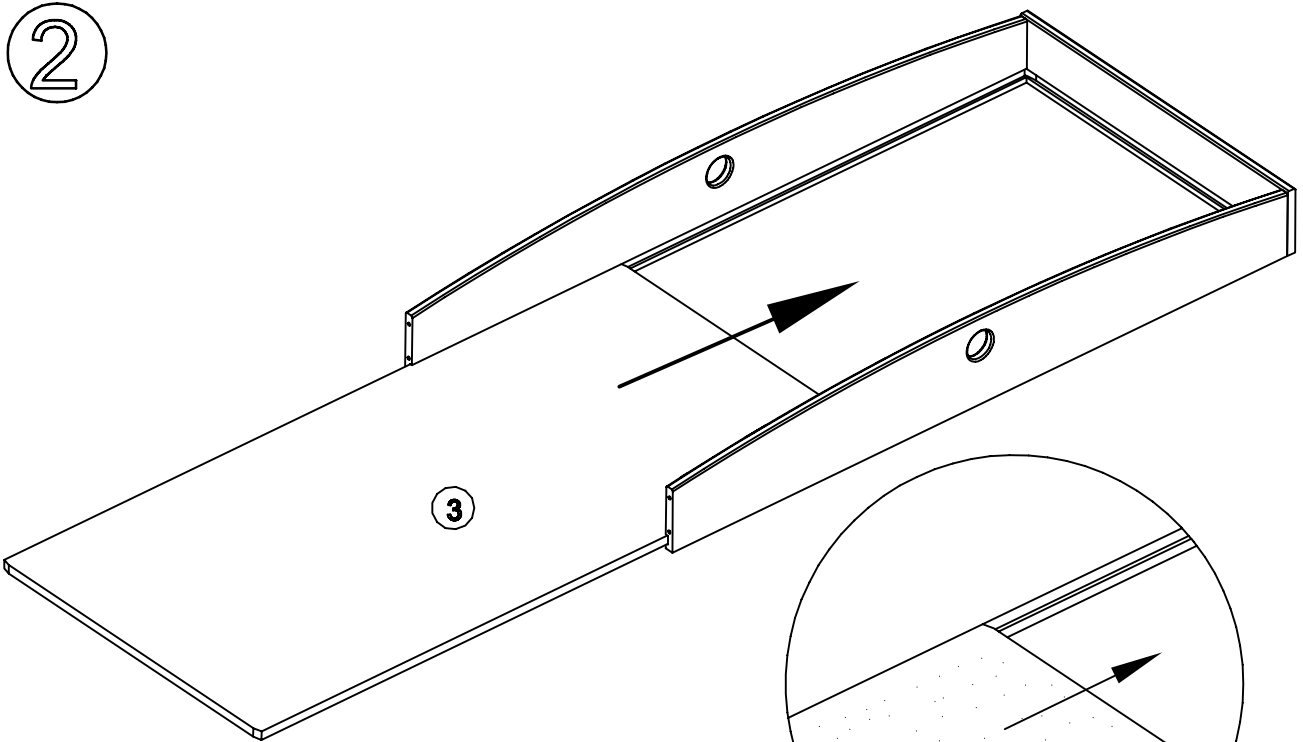
70789

A8	 $\varnothing 7 \times 50$	x4	B1		x1
----	--	----	----	--	----

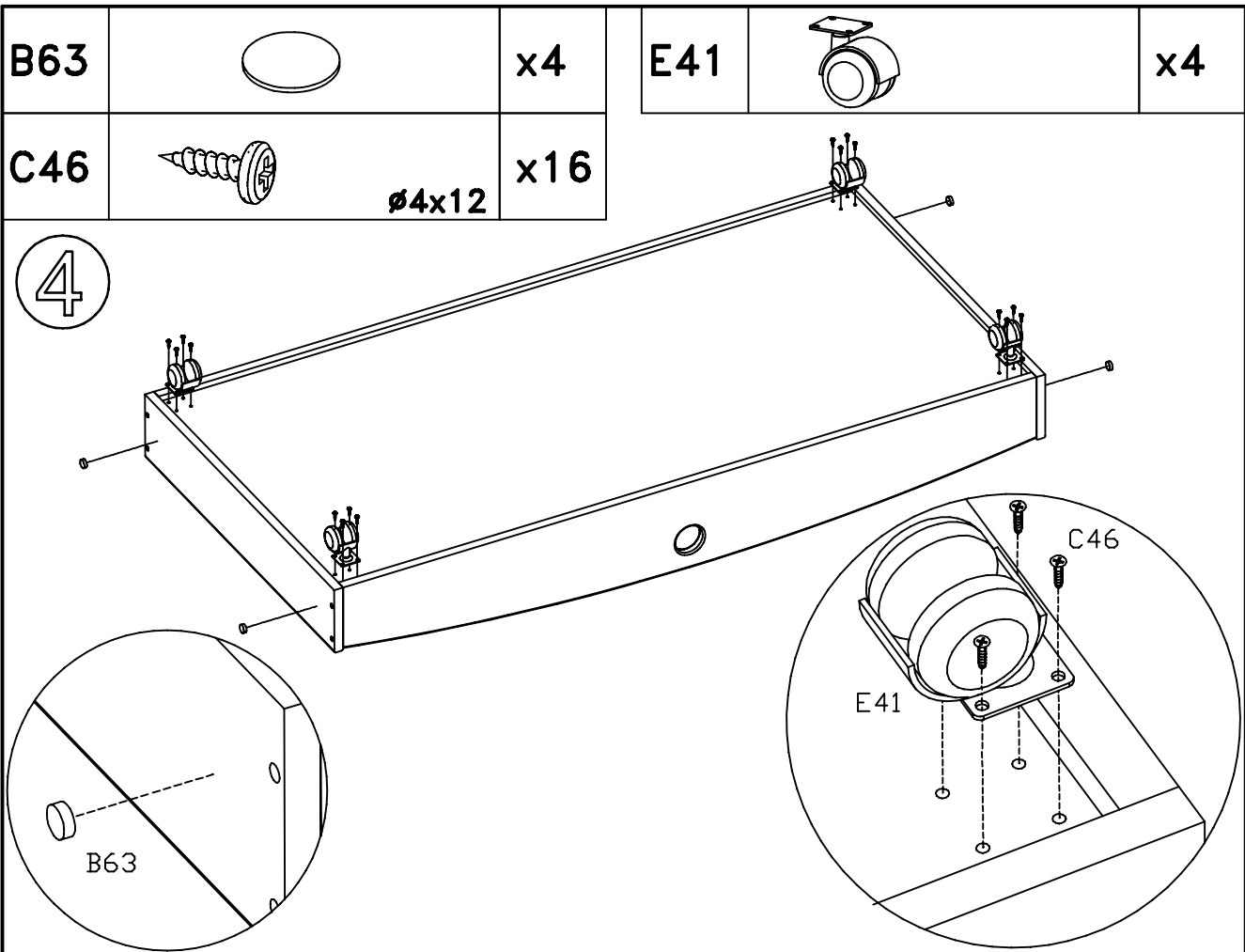
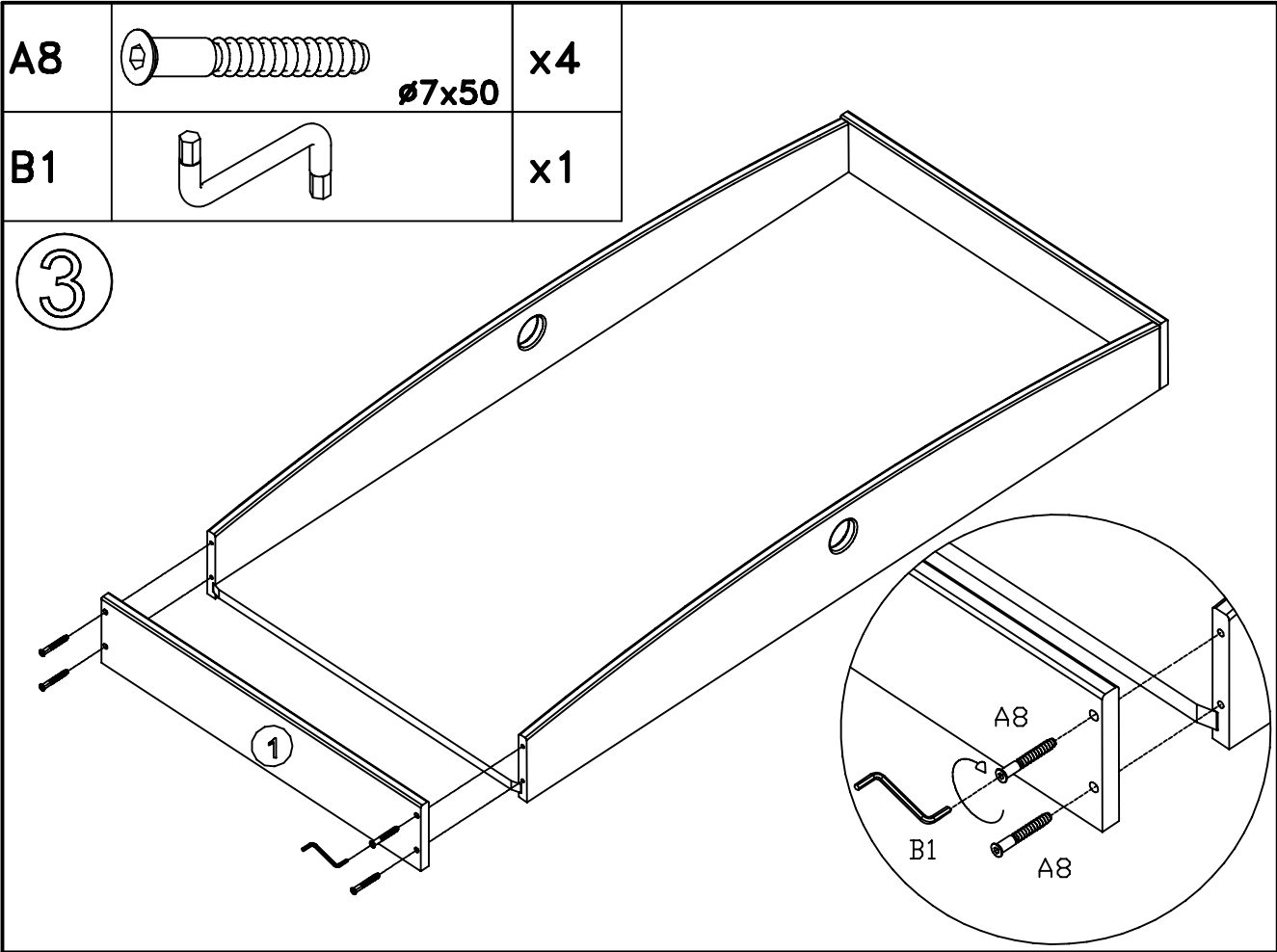
1



2



70789



70789